

Creating Cities
Where Urban Meets Nature



VersiJack[®]

Paver & Bearer Support



Engineered in Australia

Our Innovation Is Your Solution

VersiJack[®] is a new generation pedestal engineered to provide a versatile and sustainable solution to support raised pavers and timber decking. It provides a cavity for services to be concealed, improves heat and sound insulation, facilitates rapid surface drainage whilst allowing waterproofing to remain accessible.



VersiJack®

VersiJack® is a new generation pedestal engineered to provide a versatile and sustainable solution to support raised pavers and timber decking. It provides a cavity for services to be concealed, improves heat and sound insulation, facilitates rapid surface drainage whilst allowing waterproofing to remain accessible.

About VersiJack®

VersiJack® is a height and slope-adjustable pedestal engineered by Elmich used to support paver or decking to reduce material, construction and lifecycle costs.

It caters to a wide range of height requirements, from 37mm - 1016mm, using only three main components parts (Top, Extender and Base).

Accessories includes top and bottom slope-correctors and bearer holders that ensure bearers remain firmly in place.

High Compressive Strength

VersiJack® has high ultimate compressive strength for various height combinations.

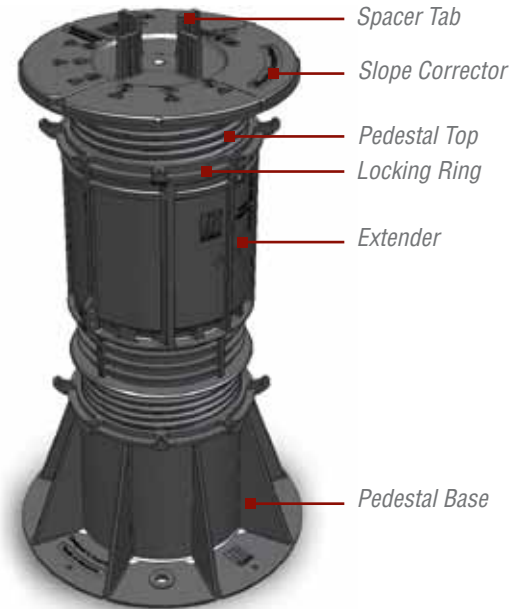
Supports Green Building Certification

VersiJack® is manufactured from recycled materials which meets RoHS requirements.

Advantages

- Easy to install and lightweight
- Progressive height increments
- Top and/or bottom slope correction

- Supports Green Building certification
- Made from recycled material
- Easily removed and reused



VersiJack® provide stable support for installation of decking

Construction Benefits

VersiJack® provides a quick to install alternative to on-site fabricated concrete or metal piers.

It allows convenient progressive height adjustment or correction for fall. Desired height is secured with the integrated Locking Ring.

The large flat base and rounded edges does not penetrate and compromise waterproofing membranes. The design prevents water ponding and breeding of pests.

Unique VersiJack® Turning Tool connected to a power drill permits height adjustments with minimum effort.



VersiJack® allows easy accessibility for servicing when required.

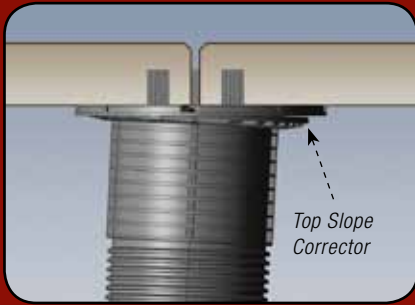


Turning Tool greatly reduces the time needed for height adjustments.

Distinctive Features

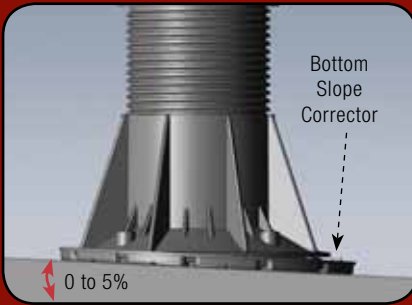
Top Slope Corrector

Top Slope Corrector provides for slope compensation up to 5%, keeping pavers level on a sloping surface.



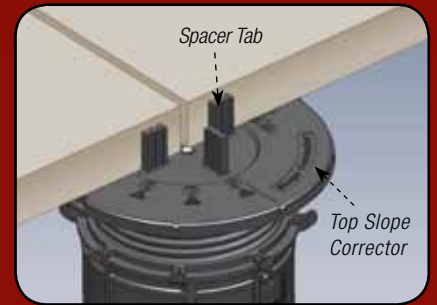
Bottom Slope Corrector

Bottom Slope Corrector by itself allows pedestal to remain firmly upright on incline of up to 5%.



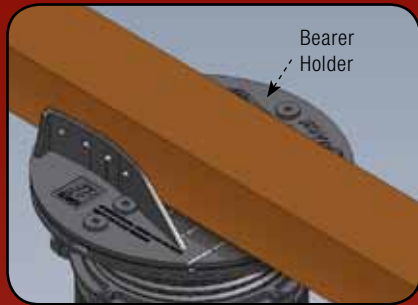
Spacer Tab

Spacer Tabs of various thicknesses from 2mm to 10mm cater for different gap sizes between pavers.



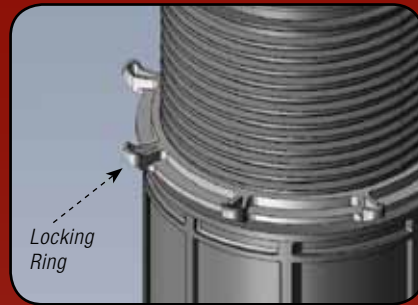
Bearer Holder

Bearer Holder accommodates bearer widths of 50mm to 85mm and keeps it firmly in place.



Locking Ring

Locking Rings ensure pedestals are secured at desired heights and are easily removed when not required.



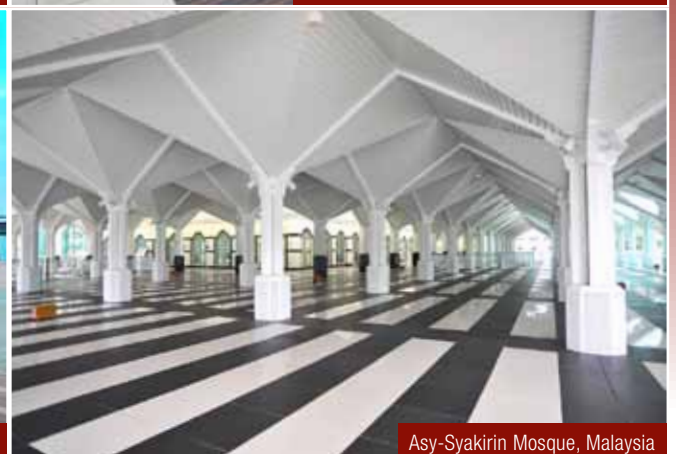
Non-Water Retention

Pedestal design prevents water ponding and breeding of pests even on an incline.



VersiJack® has international design registrations and patents pending.

Projects



Technical Specification

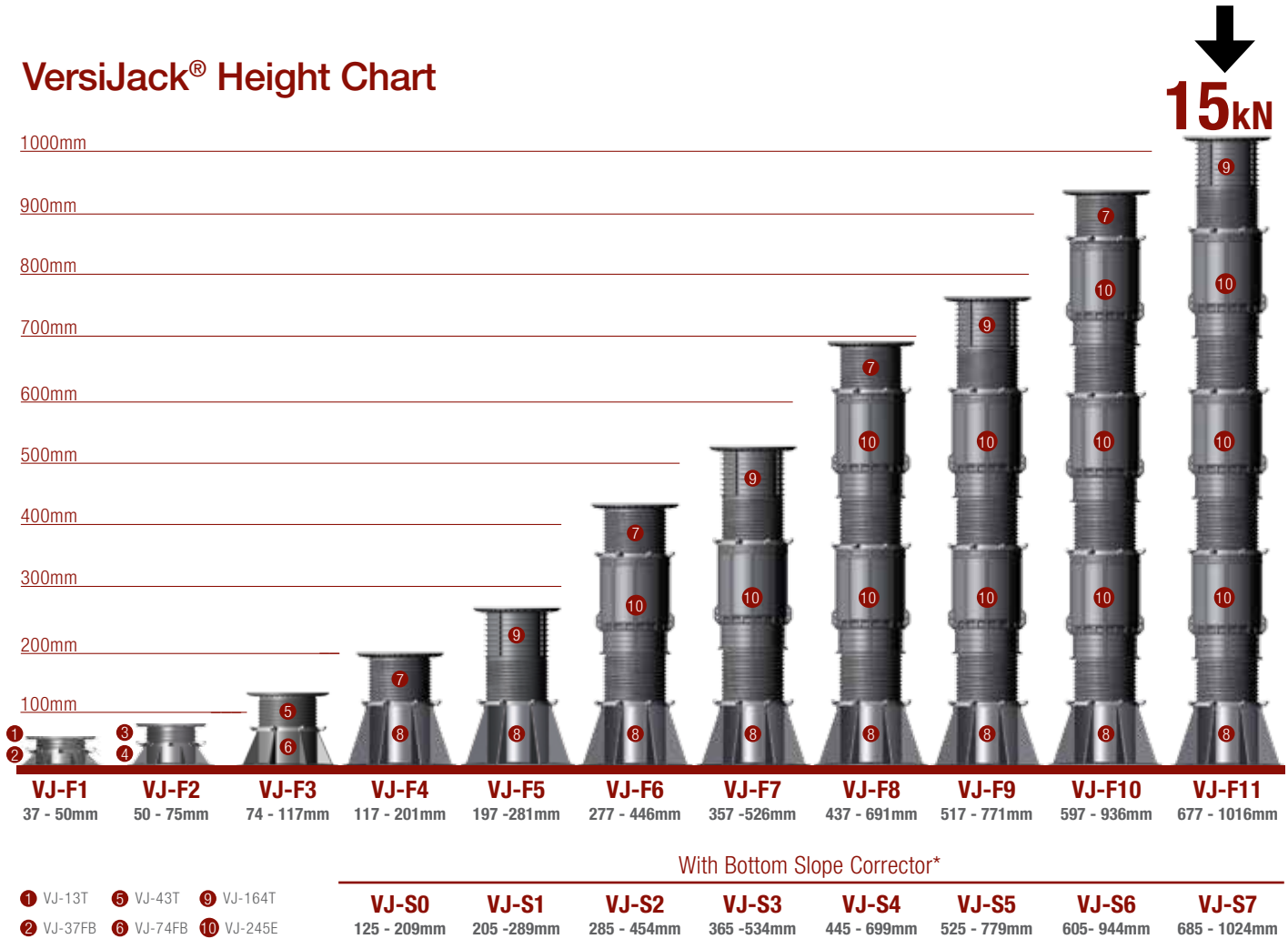
Material	Recycled Polypropylene
Height Range	37mm to 1016mm
Ultimate Compressive Strength ¹	15kN
Design Compressive Strength ¹	11kN
Slope correction	0% to 5% @ 1% increment
Base Diameter	189mm (VJ-37FB, VJ-50FB, VJ-74FB) 202mm (VJ-117FB) 226mm (VJ-117B with bottom slope corrector)
Spacer Tab Height	15 / 25mm
Spacer Tab Thickness	2 / 3 / 4 / 6 / 10mm (gap between pavers)
Bearer Holder	50mm to 85mm (bearer width)
Biological / Chemical Resistance	Unaffected by moulds and algae Good resistance to alkali and bitumen

¹ varies with different height

Accessories



VersiJack® Height Chart



- 1 VJ-13T 5 VJ-43T 9 VJ-164T
- 2 VJ-37FB 6 VJ-74FB 10 VJ-245E
- 3 VJ-25T 7 VJ-84T
- 4 VJ-50FB 8 VJ-117FB

* Note: Requires VJ-117B instead of VJ-117FB

Distributed by:

Note: The information provided in this brochure is based on current knowledge and experience and does not infer any legally binding assurance or warranty, expressed or implied. Intending purchasers should verify whether any changes to specifications or applications or otherwise have been made since the issue of this literature. Environmental-friendly recycled materials are used wherever possible and physical product properties including colour may differ due to source of raw materials used. Colour may also fade due to UV exposure. All components of the product are designed for specific application, design calculations and any variation and/or deviation therefrom shall be the responsibility of the Specifier and/or User.



ELMICH PTE LTD www.elmich.com
 Singapore: (+65) 6356 2800
 info@elmich.com
 Singapore | Guangzhou | Seattle | Sydney | Zurich



ISO 9001
 BUREAU VERITAS
 Certification

